

DL-PS-XX/24-JB-OD-UNI-DIM

INSTALLATION INSTRUCTIONS



Fixture Type
Project
Notes



READ AND FOLLOW ALL SAFETY INSTRUCTIONS



Please read carefully before using product.

Protect yourself and others by observing all safety information, warnings and cautions. Failure to comply with instructions could result in personal injury and/or damage to product or property.

Please retain instruction sheet for future reference.

This driver is to be installed in accordance with Article 450 of the National Electric Code. The driver must be installed in a well-ventilated area free from explosive gases and vapors. Proper operation requires for free flow of air.

As this driver is hardwired it should only be installed by a qualified electrician.

Check the label and ensure the driver has the proper input voltage, output voltage and wattage for the job. Check the wire markings to ensure they match the wiring diagram on this installation guide.

Ensure that the load wattage does not exceed the maximum rated wattage on the circuit or on the dimmer. Ensure the polarity is correct on the primary side of the driver as incorrect wiring will damage the product.

Ensure applicable wire is installed between

driver, fixture, and any controls in between.

When choosing wire, factor in voltage drop, amperage rating, and type (in-wall rated, wet location rated, etc.). Inadequate wire installation could overheat wires

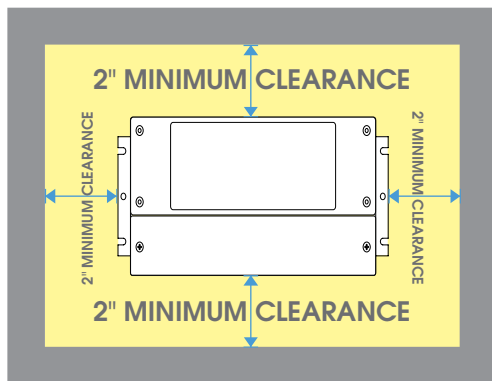
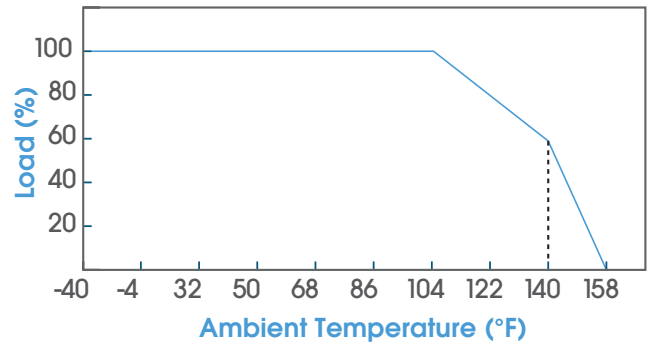
- Only install compatible LED fixtures & controls.
- Do not install if product has any visible damage.
- Do not modify or disassemble this product beyond instructions or the warranty will be void, and cause a fire.

SPECIFICATIONS

INPUT VOLTAGE	120-277V AC		
OUTPUT VOLTAGE	24V DC		
	96/24	60/24	30/24
RATED OUTPUT POWER¹	96W	60W	30W
RATED LOAD CURRENT	4.0A	2.50A	1.25A
NET WEIGHT	1.3kg (2.9lbs)	1.1kg (2.4lbs)	0.95kg (2.1lbs)
AMBIENT TEMPERATURE¹	-40°F -140°F (-40°C - 60°C)		

¹ Reference derating curve for applications with high ambient temperature
² Do not install product in an environment outside the listed ambient temperature. Warranty will be voided.

DERATING CURVE

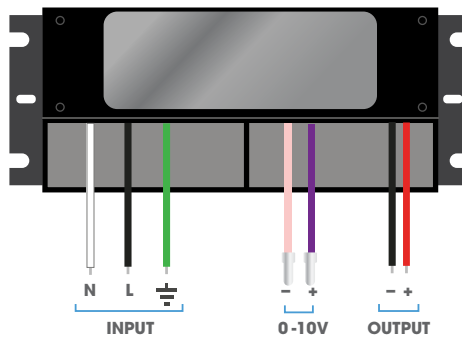


The driver can be mounted vertically or horizontally. Keep a minimum clearance of 2" in all directions around the driver to allow for adequate air circulation. **NEVER MOUNT IT NEXT TO OBJECTS RADIATING HEAT**

NOTES

Due to new NEMA regulations this product is transitioning from gray and purple wires over to pink and purple wires. Your product may have either of these color combinations. Wire caps must be removed from purple and gray / pink wires for 0-10V installations. Wire caps must remain on purple and gray / pink wires for all other installations.

ALL PICTURES SHOWN ARE FOR ILLUSTRATION PURPOSE ONLY, ACTUAL PRODUCT MAY VARY



INPUT

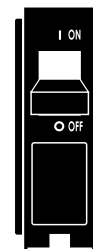
COLOR	SYMBOL	TYPE
Green	\perp	Ground
Black	L	Live
White	N	Neutral

OUTPUT

COLOR	SYMBOL	TYPE
Red	+	Positive
Black	-	Negative

0-10V DIM

COLOR	SYMBOL	TYPE
Purple	+	Positive
Pink/Gray	-	Negative



TURN OFF ELECTRICITY at main fuse box (or circuit breaker box) before beginning installation by switching circuit breaker off or removing fuse.

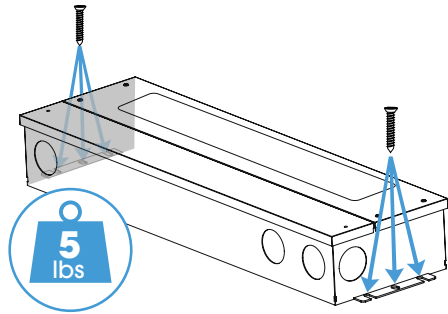
DL-PS-XX/24-JB-OD-UNI-DIM

INSTALLATION INSTRUCTIONS



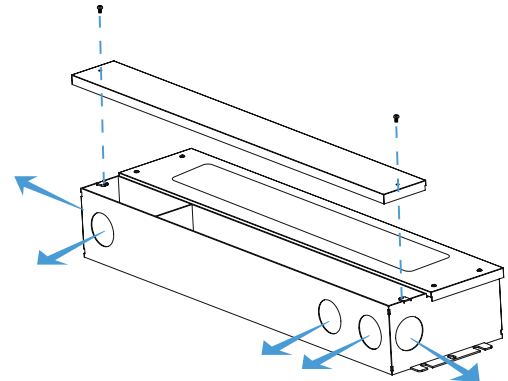
Fixture Type
Project
Notes

1



Secure power supply to mounting surface with self tapping screws. Ensure mounting surface and hardware can support the weight of the power supply.

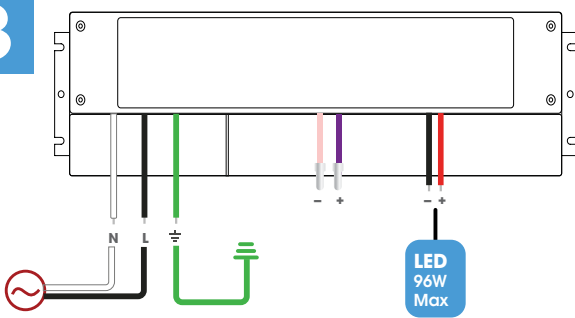
2



Remove cover plate screws. (save for later use) Lift the cover plate to expose the wiring compartments.

Determine input and output locations and remove knockouts as needed. Install 3/8" Romex connectors or bushings for wire strain relief.

3



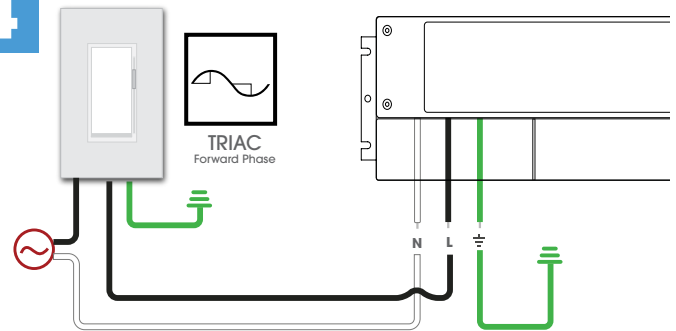
NON-DIMMING APPLICATIONS

INPUT Connects supply wires to power supply input wires live to black, neutral to white, ground to green.

OUTPUT Connects fixtures' input wires to power supply output wires + to red, - to black.

Secure all connections with wire nuts or clamp accessories
Wire caps must remain on purple and gray / pink wires
Tuck all connected wires inside of wiring compartment and secure lid on power supply with screws

4



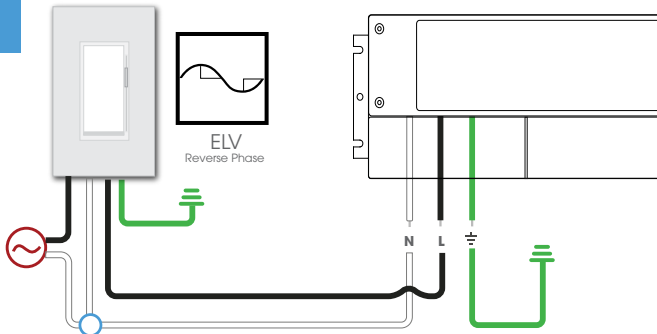
TRIAC DIMMING wiring example

Wiring diagram is for reference only. Follow manufacturer's instructions for correct wiring.

Follow **STEP3** for **OUTPUT** connections

Tuck all connected wires inside of wiring compartment and secure lid on power supply with screws

5



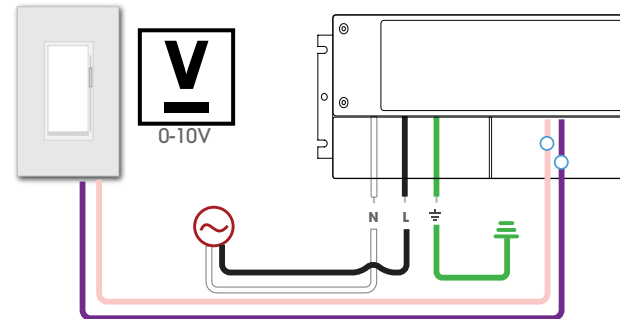
ELV DIMMING wiring example

Wiring diagram is for reference only. Follow manufacturer's instructions for correct wiring.

Follow **STEP3** for **OUTPUT** connections

Tuck all connected wires inside of wiring compartment and secure lid on power supply with screws

6



0-10V DIMMING wiring example with no power pack

Wire caps must be removed from purple and gray / pink wires for 0-10V installations.

Wiring diagram is for reference only. Follow manufacturer's instructions for correct wiring.

Follow **STEP3** for **OUTPUT** connections

Tuck all connected wires inside of wiring compartment and secure lid on power supply with screws

DL-PS-XX/24-JB-OD-UNI-DIM

INSTALLATION INSTRUCTIONS



Fixture Type
Project
Notes

DIMMER COMPATIBILITY - DL-PS-[XX/24]-JB-OD-UNI-DIM

BRAND	MODEL	DIMMING TYPE	INPUT RANGE	DIMMING RANGE
LUTRON®	SCL-153PR-WH	TRIAC Forward Phase	100-130V	0-100%
	DVCL-153PR-WH	TRIAC Forward Phase	100-130V	0-100%
	DVWCL-153PH-LA	TRIAC Forward Phase	100-130V	0-100%
	CTCL-153PDH-LA	TRIAC Forward Phase	100-130V	0-100%
	TGCL-153PR-WH	TRIAC Forward Phase	100-130V	0-100%
	TGCL-153PH-WH	TRIAC Forward Phase	100-130V	0-100%
	MACL-153MH-LA	TRIAC Forward Phase	100-130V	20-100%
	CT-600PR-IV	TRIAC Forward Phase	100-130V	0-100%
	CT-600PR-WH	TRIAC Forward Phase	100-130V	0-100%
	CT-103PR-WH	TRIAC Forward Phase	100-130V	2-100%
	DV-600PR-BL	TRIAC Forward Phase	100-130V	0-100%
	DV-600PR-WH	TRIAC Forward Phase	100-130V	0-100%
	MIR-600M	TRIAC Forward Phase	100-130V	2-100%
	TG-600PR-LA	TRIAC Forward Phase	100-130V	4-100%
	TG600PR-IV	TRIAC Forward Phase	100-130V	0-100%
	TG-600PR-WH	TRIAC Forward Phase	100-130V	0-100%
	TG-10PR-WH	TRIAC Forward Phase	100-130V	0-100%
	S-600PR-WH	TRIAC Forward Phase	100-130V	0-100%
	MRF2-6ND-120-AL	TRIAC Forward Phase	100-130V	0-100%
	MSCELV-600M	TRIAC Forward Phase	100-130V	0-100%
	MEF2-6ELV-120	TRIAC Forward Phase	100-130V	0-100%
	MRF2-6CL-GR	TRIAC Forward Phase	100-130V	15-100%
	DZ6HD	TRIAC Forward Phase	100-130V	22-100%
	PD-6WCL	TRIAC Forward Phase	100-130V	20-100%
	PD-5NE-WH	TRIAC Forward Phase	100-130V	18-100%
	NLV-600-277-WH	TRIAC Forward Phase	277V	1-100%
	ST-12P-277	TRIAC Forward Phase	277V	12-100%
	NTF-10-277	TRIAC Forward Phase	277V	1-100%
	DVELV-300P	ELV Reverse Phase	100-130V	15-100%
	SELV-300P	ELV Reverse Phase	100-130V	15-100%
DVSTV-WH	0-10V	120-277V	9-100%	
DVTV-WH	0-10V	120-277V	9-100%	
LEVITON®	VP106-1LZ	TRIAC Forward Phase	100-130V	15-100%
	TT106-1LZ	TRIAC Forward Phase	100-130V	1-100%
	IPL06	TRIAC Forward Phase	100-130V	15-100%
	DZ6HD	TRIAC Forward Phase	100-130V	17-100%
	TBL03	TRIAC Forward Phase	100-130V	15-100%
	6672	TRIAC Forward Phase	100-130V	20-100%
	6602	TRIAC Forward Phase	100-130V	0-100%
	6674	TRIAC Forward Phase	100-130V	16-100%
	6683	TRIAC Forward Phase	100-130V	10-100%
	AWSMT-EAW	ELV Reverse Phase	100-130V	0-100%
	AWSMT-EAW	ELV Reverse Phase	277V	0-100%
LEGRAND®	RHCL453PNICCV6	TRIAC Forward Phase	100-130V	6-100%
	WSCL450TCCCV4	TRIAC Forward Phase	100-130V	11-100%
	LSCL453PLACCV4	TRIAC Forward Phase	100-130V	11-100%
CRESTRON®	CLW-DELVEX-P-W-S	ELV Reverse Phase	100-130V	11-100%
EATON	DF10P-C1	0-10V	100-277V	5-100%

Fixture Type
Project
Notes

TROUBLESHOOTING

PROBLEM	POSSIBLE CAUSE
Fixture does not illuminate	<ul style="list-style-type: none"> • See wiring example for specific types of installations as well as dimmer’s installation instructions for correct wiring of all components. Ensure the system is wired correctly and polarities are correct. • Ensure the input and output voltage range is within the driver’s marked input and output voltage. • Ensure the input and output wattage range is within the driver’s marked input and output wattage. • Check that your installation has not tripped the circuit breaker at the main service panel of the building. If this occurred reset the breaker. If it trips again, it is possible that there is an electrical short/defective component or a connection issue on the AC side of the driver.
Fixture look dim or flicker	<ul style="list-style-type: none"> • Make sure the power requirements are being met, 100-277VAC input and 24VDC output - check these with a multimeter. • If the driver isn’t providing the adequate voltage, make sure the properly sized gauge wire is installed by factoring voltage drop and amperage rating. If the voltage at the end of the wire is less than 23V for a 24V unit, we recommend installing a heavier gauge wire between the driver and the LED load.
Fixture does not dim	<ul style="list-style-type: none"> • Ensure the dimmer installed is in the compatibility list. • Ensure the system total wattage is within the dimmer’s max wattage range. • Check manufacturer’s installation for correct wiring. • Ensure different fixture types are not connected to a single driver, different fixture types must be connected to individual drivers. Different fixture types have different circuit designs and may react differently when dimmed. Ensure each fixture type is installed on a separate dimmable driver for best performance.
Fixture is flashing	<ul style="list-style-type: none"> • Ensure driver is not overloaded. An overloaded driver will cause the internal auto-reset to trip repeatedly.



support@jescolighting.com
855 592 0029